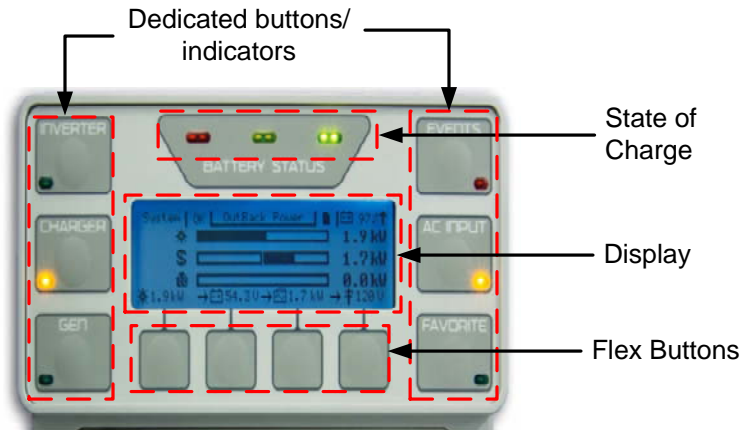
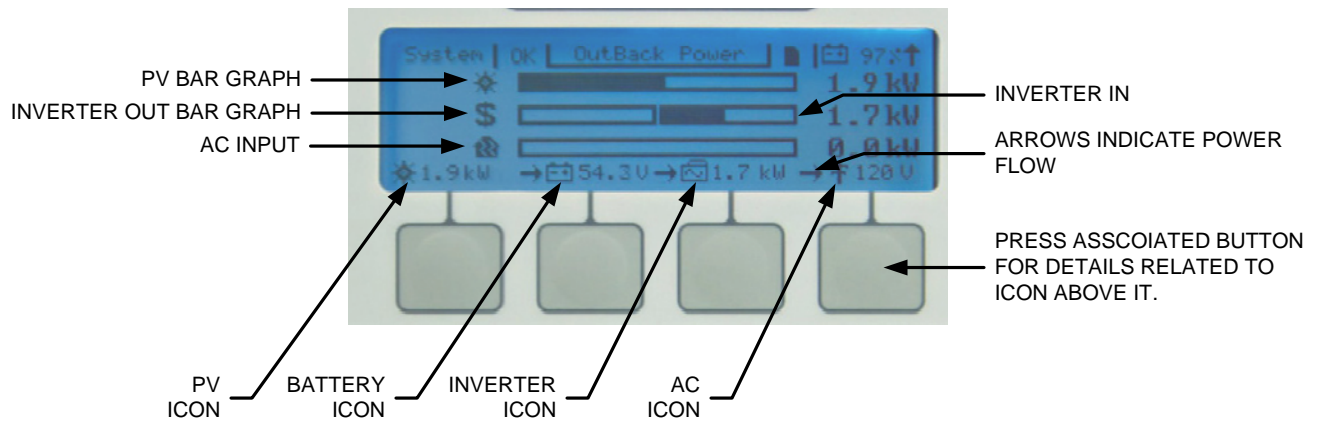


Introduction to the Mate3. It is used to control the solar equipment:

The main areas of the Mate3 are indicated below:



Display section:



Dedicated Buttons/Indicators

Button	Indicator
INVERTER	Turn inverter on/off
CHARGER	Start/stop charge process
GEN	Start/stop generator

Button	Indicator
EVENTS	View/Acknowledge Error or warning occurred
AC INPUT	Not recommended AC input present
FAVORITE	Not recommended None